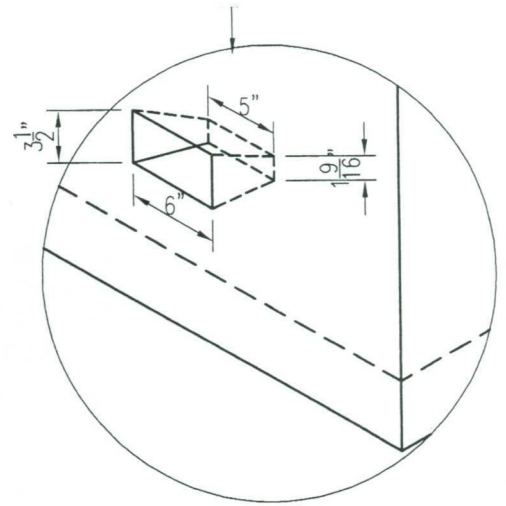
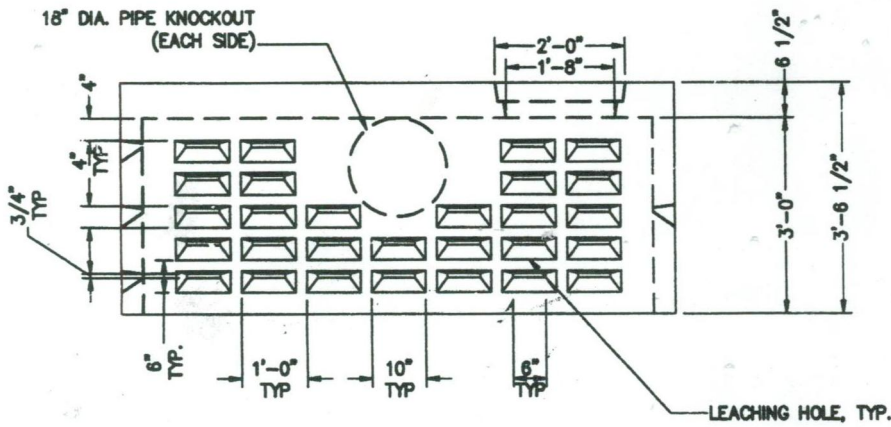


SECTION B-B



FINISHED CONCRETE VAULT 7600#
CAPACITY 900 GALLONS WITH A 6 INCH
AIRSPACE AT THE TOP

NOTE:

1. CONCRETE 4000 P.S.I. @28 DAYS.
2. REBAR TO BE ASTM A-615 GRADE 60.
3. WELDED WIRE FABRIC ASTM A-185.
4. DESIGNED FOR AASHTO HS-20 LOADING.
5. TOP SLAB AND WALL ARE MONOLITHIC.

INTERNAL WALL HEIGHT	DRAIN WALL AREA (SF)	INTERNAL VOLUME		APPROX. DRAIN OPENINGS			WEIGHT (LB.)
		CF	GAL.	TOTAL	SIZE	ANGLE	
1'-0"	17.0	32	239	12	1 9/16" x 5"	14 DEG.	4150
1'-6"	25.5	48	359	20	1 9/16" x 5"	14 DEG.	4370
2'-0"	34.0	64	479	20	1 9/16" x 5"	14 DEG.	5325
2'-6"	42.5	80	598	26	1 9/16" x 5"	14 DEG.	5905
3'-0"	51.0	96	718	34	1 9/16" x 5"	14 DEG.	6485
3'-6"	59.5	112	838	40	1 9/16" x 5"	14 DEG.	7065
4'-0"	68.0	128	957	48	1 9/16" x 5"	14 DEG.	7675

LEACHING GALLEY

NOT TO SCALE



294A OLD NORTHPORT ROAD
KINGS PARK, NY 11754

TEL: (631) 269-5727
FAX: (631) 269-2100
E-MAIL: depot@pelkowskiprecast.net

DATE

JOB

DWG